

LUXPRO® PSM200SA-PSM400SA



PSM200SA - HEATING ONLY



PSM400SA - HEATING AND COOLING

PSM200SA-PSM400SA MECHANICAL THERMOSTATS

COMPATIBLE WITH:

- Most 24V Gas, Oil, Electric Heating and Air Conditioning Systems (PSM400 Heating and Cooling PSM200 Heating Only)
- 2 Wire Hydronic Systems
- Millivolt Systems
- Hydronic Air Handlers

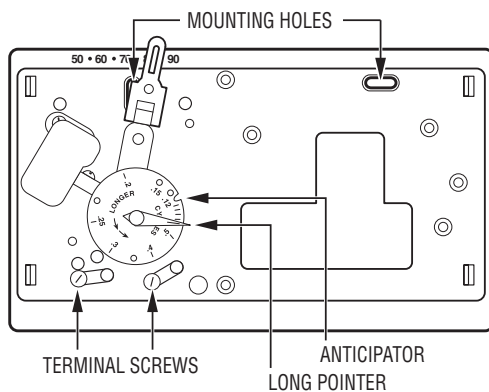
NOT COMPATIBLE WITH:

- 3 Wire Hydronic Systems
- 120V/240V Systems
- Heat Pumps
- Compressors Without Time Delays (PSM400SA)

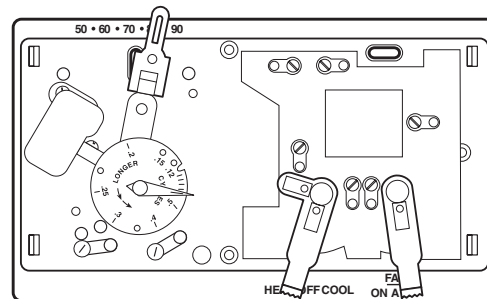
- **Horizontal Style**
- **Clean, Attractive Design**
- **Snap Action Mechanism**
- **Value Priced**
- **Adjustable Heat Anticipator**

LUXPRO[®]

PSM200-PSM400



PSM200SA - HEATING ONLY



PSM400SA - HEATING AND COOLING

GENERAL DESCRIPTION:

5½" (140mm) wide x 3¾" (96mm) tall x 2" (52mm) deep

Description: Snap Action mechanism, heating only (PSM200SA model, PSM400SA model is heating and cooling) thermostat with adjustable heat anticipator.

SPECIFICATIONS:

Electrical Ratings: 24 Vac (30 Vac maximum).

Anticipator Rating: 0.15A to 1.2A.

Temperature Control Range: 45°F to 90°F (7° to 32°). Accuracy: ±1°F over a range of 50°F to 95°F.

Compatibilities: 2-5 wire single stage systems, forced air systems, 2 wire hydronic systems, hydronic air handling systems. PSM400SA has G, Y, W, RH, RC, A terminals.

Environmental Limits:

Moisture and Dust: meets IP20.

Operating Humidity: 20% to 90% non-condensing.

Operating Temperature: +32°F to +95°F (+0°C to +35°C).

Storage Temperature: -4°F to +130°F (-20°C to +54°C).

Electrical Immunity: meets relevant CE specifications.

Packaging:

Packaged in clamshell - carton quantity = 10.

Carton Specifications: 15¾" long x 8¼" wide x 6¼" high. Carton weight = 5lbs.



LUX Products Corporation 6000 I Commerce Parkway • Mt. Laurel, NJ 08054
(856) 234-7905 • FAX (856) 234-7825 • www.luxproproducts.com

JOB NAME: _____

DATE: _____

CONTRACTOR: _____

UNIT DESIGNATION: _____

ENGINEER: _____

MODEL NO.: _____

SUBMITTED FOR: APPROVAL RECORD

LOCATION: _____