

Repair Parts for Use with V-3755 Normally Open Valves, 1/2 through 2 in.

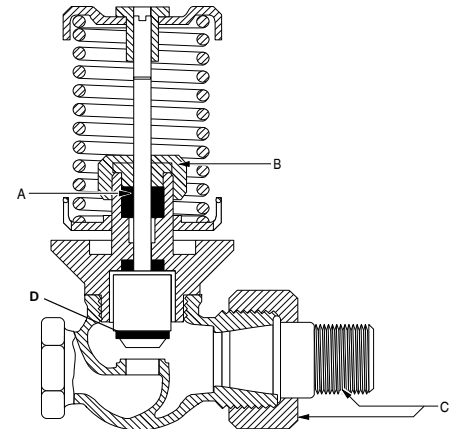
Description

The available parts listed in the Selection Charts can extend the service life of the V-3755 Series valves and return the valves to near original operating performance.

Selection Charts

Repair Parts for Use with V-3755 Normally Open Valves, 1/2 through 2 in.

Code Number ¹	Callout	Description		
V-9999-608	A	Packing Kit		
V-3752-646	B	Packing Nut		
	C	Union Nut and Male Tailpiece Assemblies for Valves with Union Connections	Valve Size, in.	
V-3752-636			1/2	
V-3752-637			3/4	
V-3752-638			1	
V-3752-639			1-1/4	
	D	Disc Only	Valve Size, in.	
V-3011-6002			1	1
V-3020-6006			1-1/4	1-1/4
V-3020-6007			1-1/2	1-1/2



Repair Parts, V-3755

1. The V-3755 model discontinued in 1974.

Spring Kits and Reconditioning Kits for V-3755

Code Number	Valve Size, in.	Actuator Size	Spring Range, psig	Spring Kit	Reconditioning Kit ¹
V-3755	1/2	V-3000	3 to 6	V-3752-6023	V-3755-6050 (Cv = 3)
			9 to 13	V-3752-6022	No kit available, replace valve
	3/4		3 to 6	V-3752-6023	V-3755-6002 (Cv = 5.2) or V-3755-6007 (Cv = 9)
			9 to 13	V-3752-6022	or V-3755-6011 (Cv = 6) or V-3755-6017 (Cv = 9)
	1		3 to 6	V-3752-6024	V-3755-6003 (Cv = 8.2) or V-3755-6008 (Cv = 17)
			9 to 13	V-3752-6021	or V-3755-6012 (Cv = 10) or V-3755-6018 (Cv = 17)
	1-1/4		3 to 6	V-3752-6024	V-3755-6004 (Cv = 13) or V-3755-6009 (Cv = 24)
			9 to 13	V-3752-6021	
	1-1/2		3 to 6	V-3754-6010	V-3755-6005 (Cv = 21) or V-3755-6014 (Cv = 23)
			9 to 13	V-3754-6009	or V-3755-6020 (Cv = 41)
	2		3 to 6	V-3754-6010	V-3755-6015 (Cv = 35) or V-3755-6021 (Cv = 60)
			9 to 13	V-3754-6009	

1. Reconditioning kit includes O-ring, swivel nut, washer, disc retainer, disc, disc holder, pins, swivel, stem, bonnet, packing follower, packing, packing nut, and packing spacer.